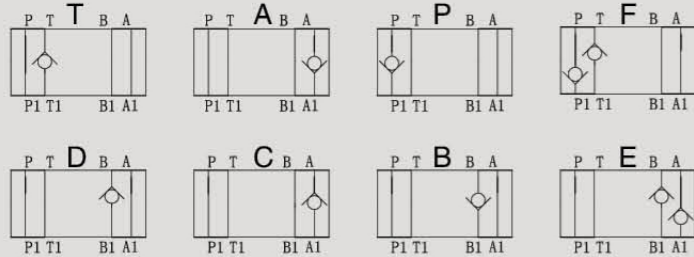


# Z1S

## Z1S SERIES MODULAR CHECK VALVES

### SYMBOL



Z1S series are direct operated check valves.

### Technical data

Size	6	10
Operating pressure(Mpa)	31.5	31.5
Flow rate(L/min)	40	100
Oil temperature range ( °C )	-20 ~ 70	-20 ~ 70
Weight(KGS)	0.9	2.3
Valve body ( Material ) Surface treatment	casting phosphating surface	
Oil cleanliness	NAS1638 class 9 and ISO4406 class 20/18/15	

Z1S 6 \* 1 30 V \*

Model

Size:6;10

See the symbol for flow type

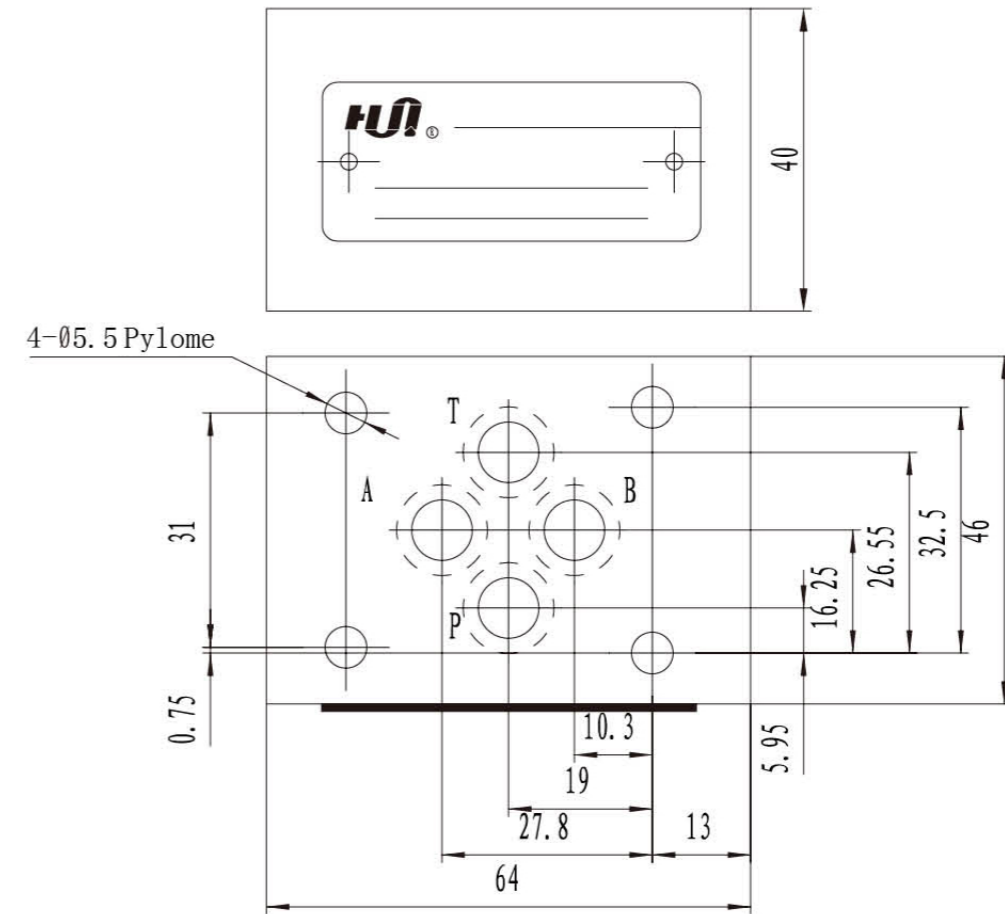
For further details

No code=NBR seals for petroleum oils  
V=FPM seals for phosphate ester

1=Cracking pressure: 0.05MPa  
2=Cracking pressure: 0.3MPa  
3=Cracking pressure: 0.5MPa

Series number

### Z1S6 External Dimensions and Fittings



### Z1S10 External Dimensions and Fittings

